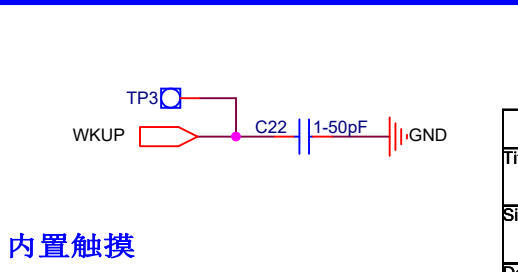
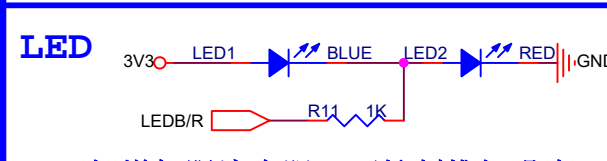
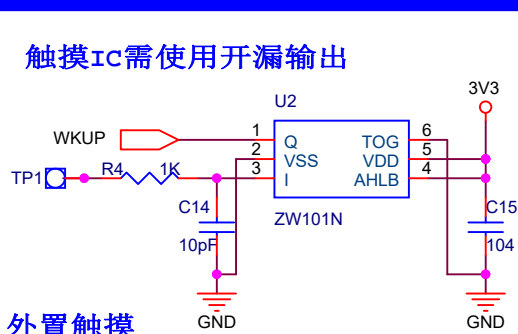
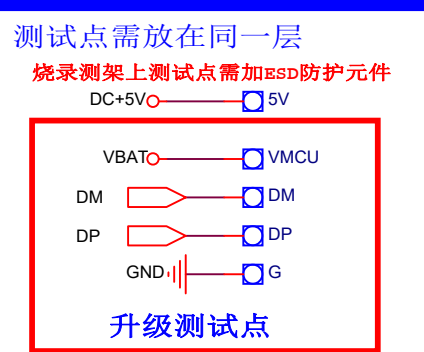
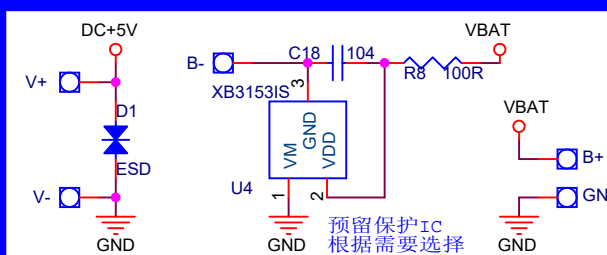
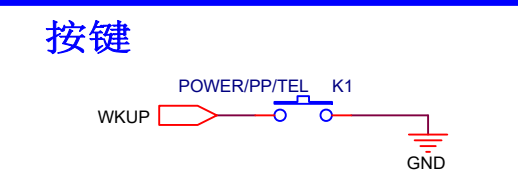
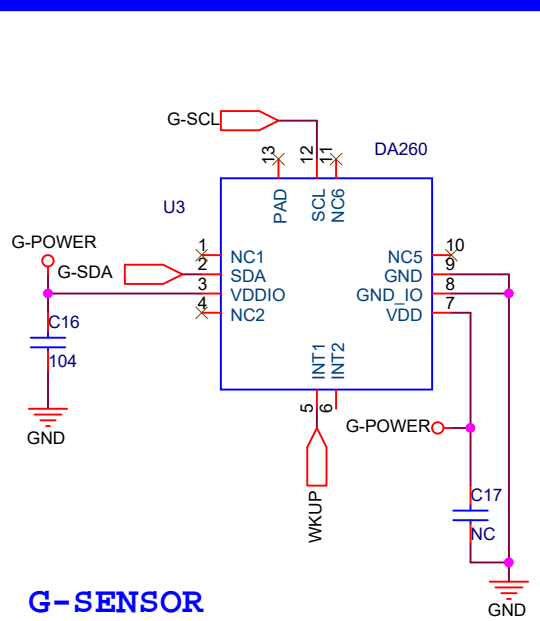
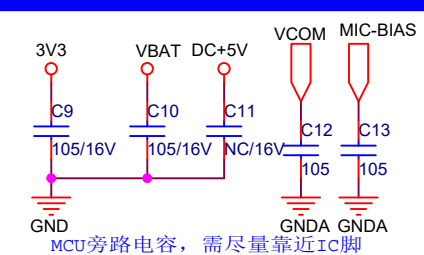
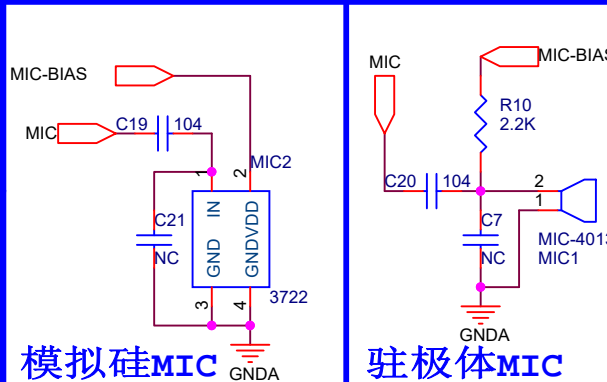
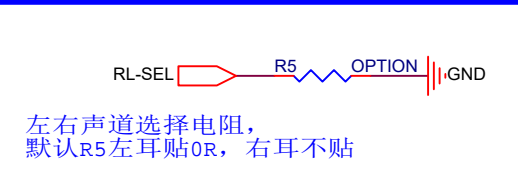
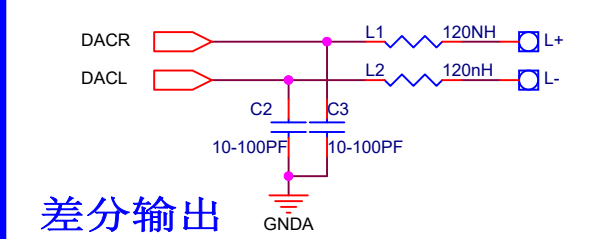
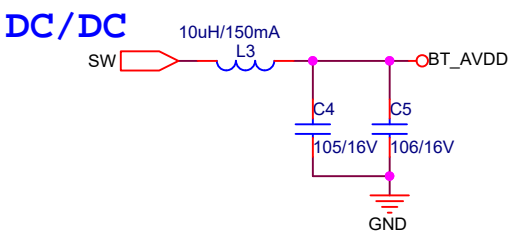
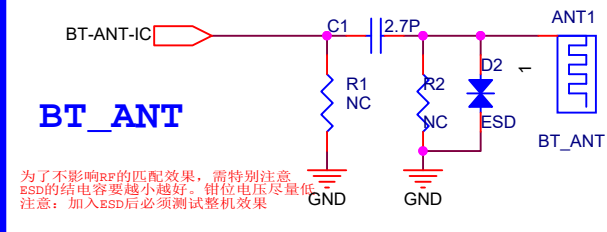
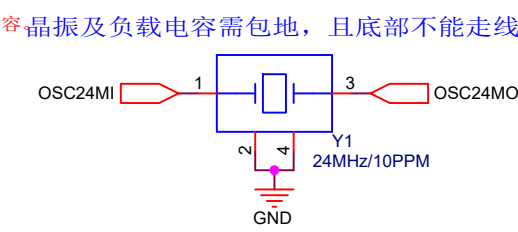
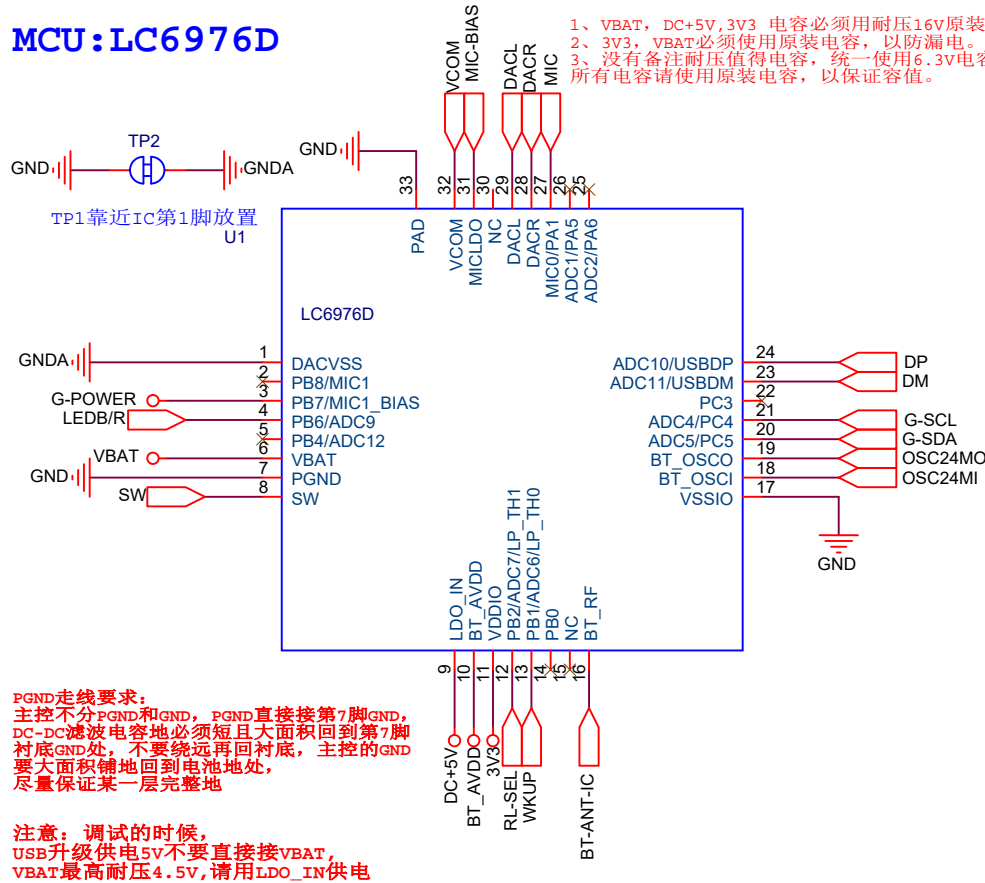


MCU: LC6976D



Shenzhen Lenze Technology Co., LTD

Title	<Title> LC6976D-TWS	
Size	Document Number	Rev
A4	<Doc>	V3
Date:	Wednesday, November 18, 2020	Sheet 1 of 1