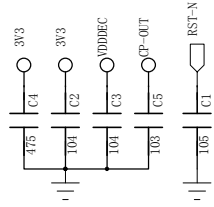
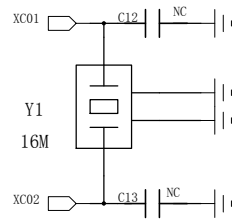


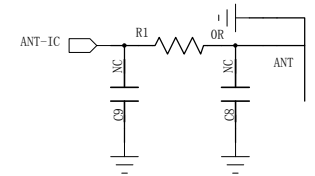
REVISION RECORD			
LTR	ECO NO:	APPROVED:	DATE:



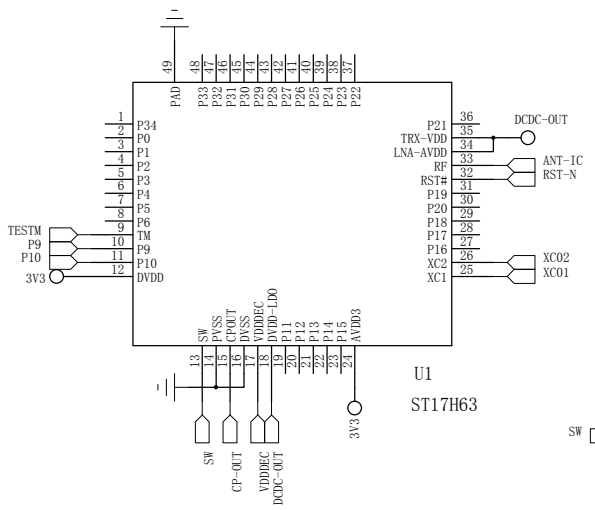
滤波电容靠近主控。



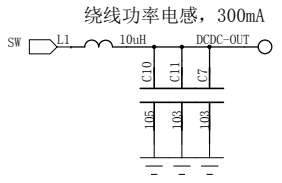
晶振



天线

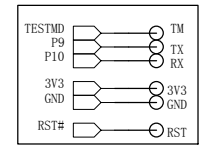


蓝牙主控



绕线功率电感，300mA

烧录点



COMPANY:			
TITLE: <b>ST17H63原理图</b>			
CODE:	SIZE: <b>A3</b>	DRAWING NO:	REV: <b>1</b>
SCALE:			SHEET: 1 OF 1

DRAWN:	DATED:
CHECKED:	DATED:
QUALITY CONTROL:	DATED:
RELEASED:	DATED:

D

C

B

A