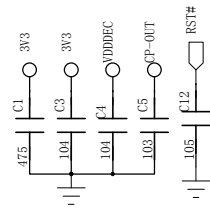
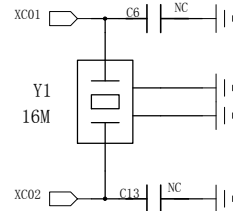


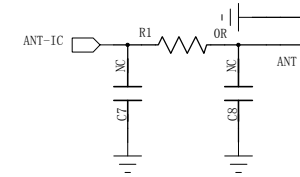
REVISION RECORD			
LTR	ECO NO:	APPROVED:	DATE:



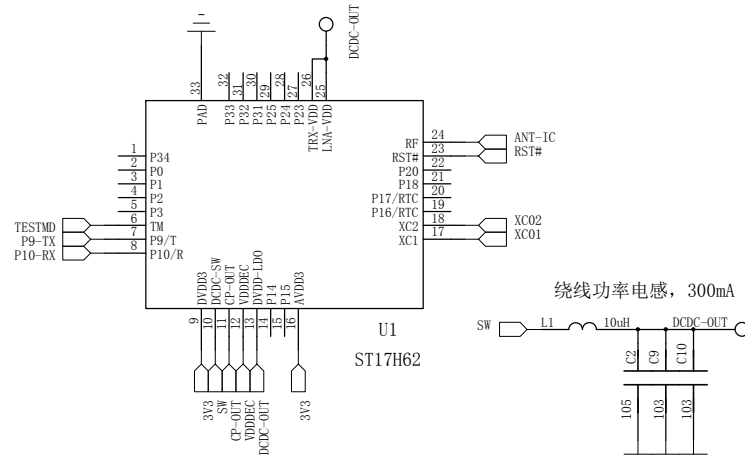
滤波电容靠近主控。



晶振

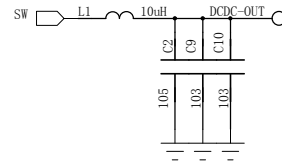


天线

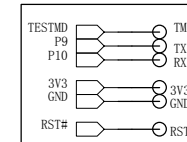


蓝牙主控

绕线功率电感, 300mA



烧录点



COMPANY:			
TITLE: ST17H62原理图			
CODE:	SIZE: A4	DRAWING NO:	REV: 1
SCALE:			SHEET: 1 OF 1

DRAWN:	DATED:
CHECKED:	DATED:
QUALITY CONTROL:	DATED:
RELEASED:	DATED:

D
C
B
A